

MOTOR SPECIFICATION SHEET

MODEL : SF-JR 1HP 4P (LT)

USED FOR : STANDARD

| DESCRIPTION | DETAIL | | | | |
|----------------------------------|---|------|------|------|------|
| PHASE | 3 | | | | |
| MODEL NAME | SF-JR | | | | |
| RATED OUTPUT, HP (kW) | 1 (0.75) | | | | |
| POLE | 4 | | | | |
| CODE | MEATH CODE : 1M002F-400075JRFY0 | | | | |
| OUTLINE DRAWING NO. | OMM84O061-B | | | | |
| RATED VOLTAGE (V) | 220 | 380 | 415 | 220 | 440 |
| RATED FREQUENCY (Hz) | 50 | 50 | 50 | 60 | 60 |
| RATED CURRENT (A) | 3.30 | 1.90 | 1.95 | 3.00 | 1.70 |
| RATED SPEED (min ⁻¹) | 1400 | 1400 | 1410 | 1700 | 1720 |
| THERMAL CLASS | 155(F) | | | | |
| RATING | S1 (CONTINUOUS) | | | | |
| ENCLOSURE CONSTRUCTION | TOTALLY ENCLOSED FAN COOLED | | | | |
| DEGREES OF PROTECTION | IP55 | | | | |
| METHOD OF COOLING | IC411 | | | | |
| FRAME NO. | 80M | | | | |
| WEIGHT (kg) | 11.5 | | | | |
| STANDARD | IEC 60034-1, JEC-2137-2000 | | | | |
| INSTALLATION | FOOT MOUNTED | | | | |
| ROTATION | CCW (VIEWED FROM SHAFT END) | | | | |
| BEARING | LOAD SIDE : 6204ZZ | | | | |
| | OPPOSITE SIDE : 6203ZZ | | | | |
| BEARING GREASE | UREA GREASE | | | | |
| NOISE (dB.A) | 63 | | | | |
| VIBRATION | V15 | | | | |
| CIRCUMSTANCE CONDITION | AMBIENT TEMPERATURE : -20 ~ +40°C | | | | |
| | AMBIENT HUMIDITY : 95%RH OR LESS | | | | |
| | ABOVE SEA LEVEL : 1000m OR LESS | | | | |
| | ENVIRONMENT : NO BURSTING/EROSIVE GAS OR VAPOR | | | | |
| COLOR | MUNSELL N5.5 (GRAY) | | | | |
| TERMINAL BOX | NO. OF LEAD WIRES : 6 | | | | |
| | SOURCE CONNECTION : TERMINAL BLOCK | | | | |
| INSULATION RESISTANCE | BY DC 500V MEGGER - ≥100MΩ | | | | |
| DIELECTRIC TEST | AC 50Hz 1800V - 1min. (Based on rated voltage 380V) | | | | |
| SHAFT SWING | ≤0.03mm | | | | |
| MATERIAL | FRAME : STEEL PLATE | | | | |
| | BRACKET : ALUMINIUM | | | | |
| | SHAFT : CARBON STEEL | | | | |
| | STATOR CORE : ELECTRICAL STEEL | | | | |
| | WIRE : ENAMELLED COPPER MAGNET WIRE | | | | |
| | INSULATOR : POLYESTER FILM | | | | |
| | VARNISH : EPOXY DENATURALIZATION POLYESTER | | | | |
| | ROTOR CORE : ELECTRICAL STEEL | | | | |
| | CONDUCTOR : ALUMINIUM | | | | |
| | TERMINAL BOX : STEEL PLATE | | | | |
| | PAINTING : POLYURETHANE RESIN | | | | |
| PRODUCTION COUNTRY | THAILAND | | | | |

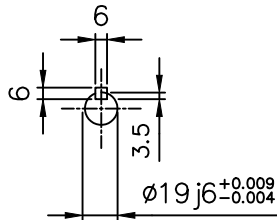
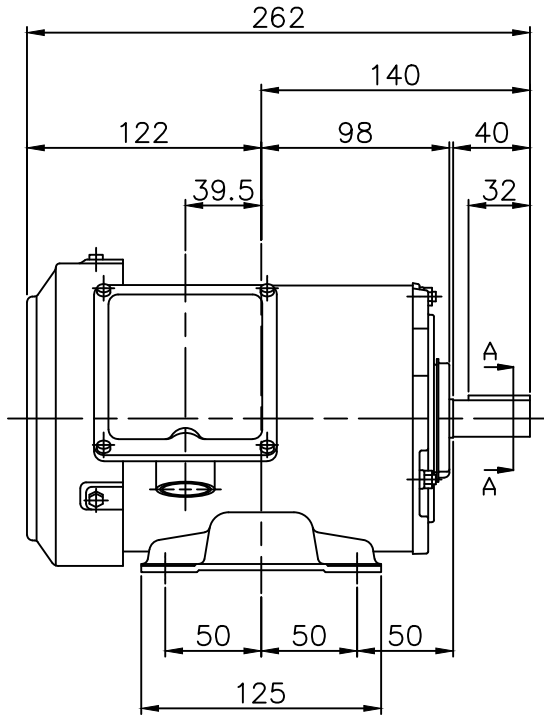
Specifications subject to change without notice.

| | | | | |
|--------------------------------|--|--|--|--|
| SPECIFICATION SHEET NO. | | | | |
| SS-M-8071-C | | | | |

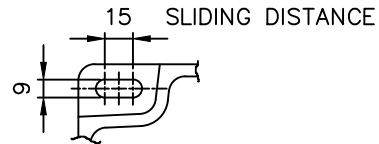
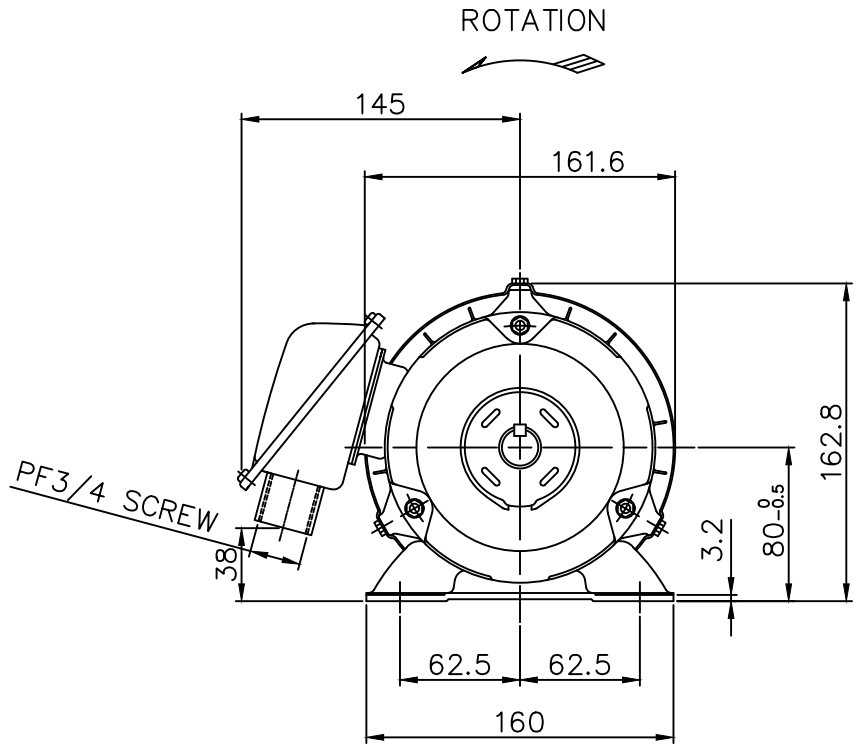
MODEL SF-JR THREE PHASE INDUCTION MOTOR OUTLINE DRAWING

TOTALLY ENCLOSED FAN COOLED TYPE
 DEGREES OF PROTECTION IP55
 DUST & WATER JET PROOF

CUSTOMER _____
 USER _____
 FOR _____
 CUSTOMER'S _____
 ORDER NO. _____
 QUANTITY _____
 MFG. _____
 ORDER NO. _____



SECTION A-A

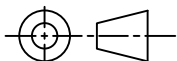


FRAME FOOT AS VIEWED FROM BELOW

| YOUR ORDER | FRAME SIZE | RATING | TH. CLASS | AMB. TEMP. | BEARINGS | | COLOR | DIRECTION OF ROTATION | NO. OF LEAD WIRES | REMARKS |
|------------|------------|------------|-----------|------------|-----------|-----------|---------------------|-----------------------|-------------------|---------|
| | | | | | LOAD SIDE | OPP. SIDE | | | | |
| | 80M | S1 (CONT.) | 155(F) | 40°C | 6204ZZ | 6203ZZ | GRAY (MUNSELL N5.5) | CCW | 6 | |

| YOUR ORDER | OUTPUT | | POLES | VOLT | HERTZ | REMARKS |
|------------|--------|------|-------|-------------|-------|---------|
| | HP | KW | | | | |
| | 1 | 0.75 | 2 | 220/380/415 | 50 | LT |
| | | | | 220/440 | 60 | |
| | 1 | 0.75 | 4 | 220/380/415 | 50 | LT |
| | | | | 220/440 | 60 | |
| | 1/2 | 0.4 | 6 | 220/380/415 | 50 | LT |
| | | | | 220/440 | 60 | |

MITSUBISHI ELECTRIC AUTOMATION (THAILAND) CO., LTD.



DIMENSION IN mm.

SCALE : NTS

OUTLINE DRAWING NO.

0 M M 8 4 0 0 6 1

REV.

B